

www.graf.info
info@graf.info

All Dimensions in mm
+/- 3 % Tolerance

Name

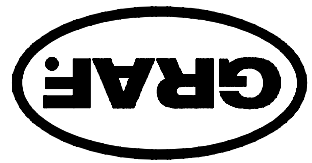
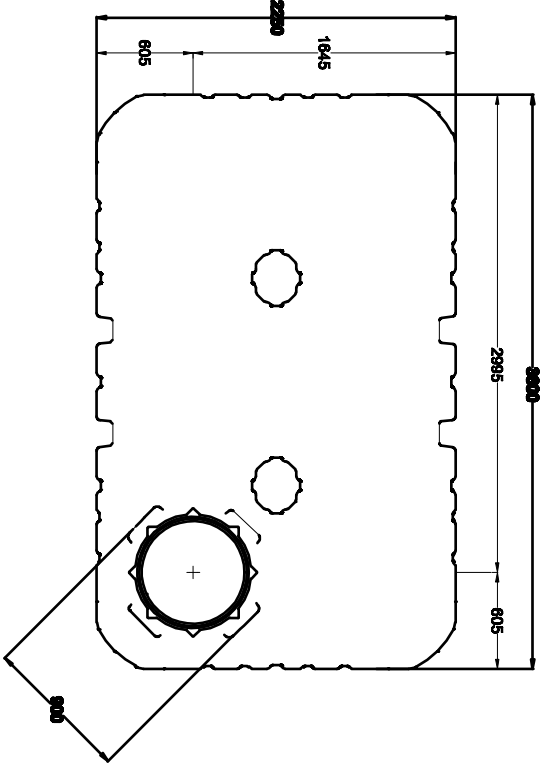
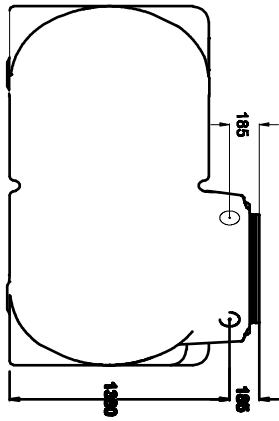
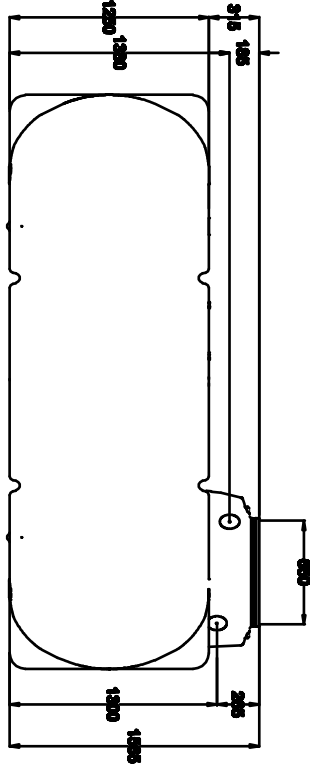
Date

Weight

Sheet 1/1

04.01.2011

Approx. 360 kg



GRAF Rainwater Flat tank
Platin 7500 L

390005

Order no.