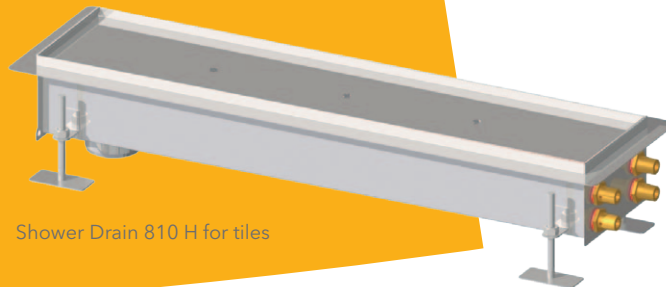


Saving energy by heat recovery ECOshower Shower Drain



Wagner Solar

ENERGIETECHNIK
ENERGY TECHNOLOGY
TECHNOLOGIE ÉNERGÉTIQUE
ENERGIETECHNIK



Shower Drain 810 H for tiles



Shower Drain 800

Can reduce
energy
consumption
by 56 %

Double your showering pleasure - ECOshower shower drains
ECOshower shower drains simply utilize the energy required for showering several times over.

BENEFITS

- **Saving energy costs**
- **Simple and flexible installation**
- **Stable performance, high savings**
- **Increasing property value**

DETAILS

Efficient heat recovery from shower water.
A family of four saves up to 180 m³ of gas annually or 180 l of heating oil quite comfortably during the shower.
This is how sustainable and economical energy is used.

The ECOshower shower drain is made of high quality and durable materials. ECOshower is as easy to install as standard shower drains and is blends in with the modern bathroom design of ground-level showers.

The heat exchanger made of corrosion-resistant copper is easily accessible directly under the attractive stainless steel or tileable cover. A straightforward and efficient design guarantees high performance and savings.

Improved energy efficiency ratings increase the value of real estate properties.

The ECOshower effect

Save up to 56 % of heat energy while showering!

Why does heat recovery from shower water pay off?

Normally only 20 - 25% of the heat generated for showering is utilized, while the bulk is flushed into the sewer.

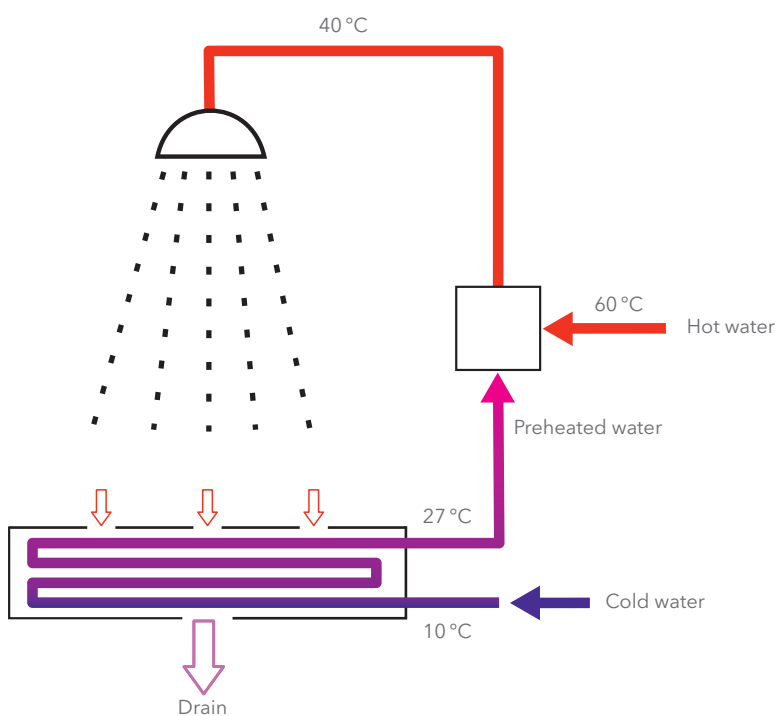
Thanks to heat recovery our shower drain ECOshower allows to re-use a large fraction of this otherwise wasted heat. To achieve this, the shower collector directly employs the heat of the wastewater to pre-heat the cold water. This way the gas, oil or power consumption required for showering is almost halved, without compromising comfort and entirely automatically while taking a shower.

How does it work?

Recovery of the heat contained in the shower wastewater is achieved by counter-flow principle. The outflowing shower water is led through the heat exchanger integrated in the shower collector, and the heat contained in the wastewater is then transferred to the inflowing cold domestic water, which is safely separated from the wastewater. The domestic water, warmed from approx. 10 °C to approx. 27 °C, is then led to the cold water connection of the shower mixer or used to pre-heat the hot water.

Reliable high efficiency

The heat exchanger's patented design ensures operation at high and stable efficiency over many years.



Functional principle of the heat exchanger

The excess heat of the wastewater is utilized to heat the cold domestic water from for example 10 °C to 27 °C before being fed to the shower mixer.

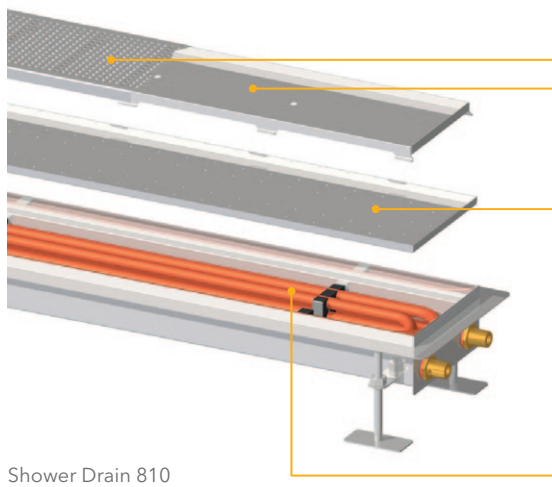


High quality

Only high-quality materials are used for the ECOshower shower drain. The cover tray with drain and integrated odor seal as well as the distribution plate are made of stainless steel. A seamless copper pipe coil made from a single piece is the durable heart of the heat exchanger.

Low maintenance operation

ECOshower shower drains can be cleaned with a few hand movements. After removing the stainless steel cover, the heat-exchanger spiral is directly accessible for cleaning. If required, it simply can be hosed off or cleaned with a brush.



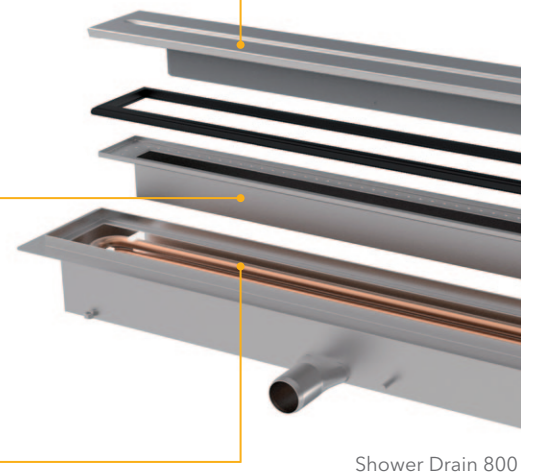
Shower Drain 810

Stainless steel cover with drain and integrated odor seal.

Stainless steel cover, optionally tileable.

The distributor plate evenly distributes the shower water onto the heat exchanger.

Domestic cold water flows through the double walled coiled copper tube heat exchanger, where it is heated.



Shower Drain 800

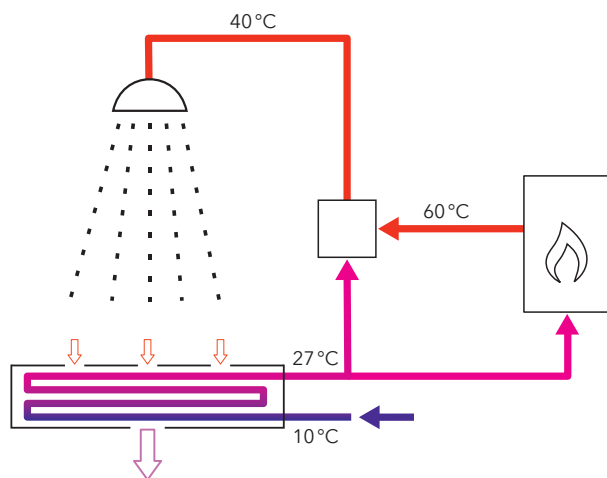
Shower drain ECOshower 800/900



Simple installation

The ECOshower shower drain, including its heat exchanger, has a very low installation height and is simply integrated into the shower tiling. In addition to the flexible placement, direct wall mounting is possible with wall flange installation.

There are various ways to connect the ECOshower shower drain to water heater and shower. A thermostatic mixing valve is not a must, but it ensures comfortable operation.



For example: Connection to shower armature and DHW generator

Multiple combinations

The ECOshower shower drain can be combined with any type of water heater.

For even more energy saving, it is recommended to combine it with a durable and highly effective solar thermal system from Wagner Solar. 40 years of solar experience as well as products that won multiple awards are a proof of outstanding quality.

The best solution for every requirement!

No matter whether in a single family home or a large sports arena – ECOshower offers the optimal solution for every application need.

Further ECOshower products

Shower Tray ECOshower with integrated heat exchanger

Shower Pipe ECOshower with even higher efficiency

Shower Collector ECOshower for larger systems

Technical data	ECOshower 800	ECOshower 900	ECOshower 810	ECOshower 810 H
Type	DHW connections right or left also available with wall flange		Choice of either stainless steel or variant that can be tiled	
Discharge connection (mm) Domestic water connections	50 ½" male thread			
Dimensions, L x W x H (mm)	860 x 186 x 111	960 x 186 x 132	866 x 240 x 116	866 x 240 x 154
Efficiency (%) NEN 7120 (12,5 l/min)	36.4	47.7	39.7	56.4